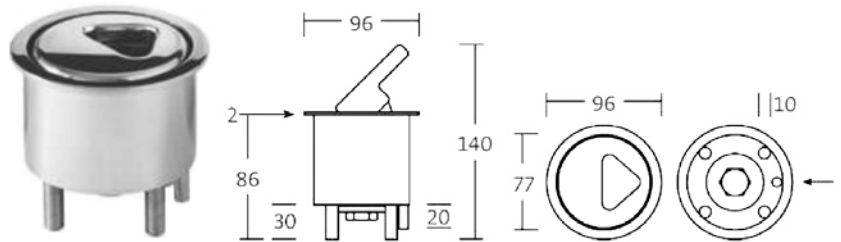


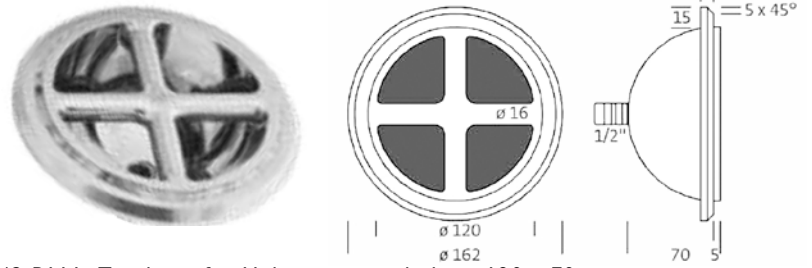


316 STAINLESS STEEL DECK BOLTS AND TIE DOWNS

- 43.PI10 **Tie Down for Equipment**
Tie down for helicopters;
box with drain 90 x 86 mm
316 stainless steel mirror polished
- 43.PI11 **Tie Down for Equipment**
Tie down for helicopters;
box with drain 120 x 70 mm;
316 stainless steel mirror polished
- 43.PI14 **Deck Plates for Eye Bolt M20**
Plate 218 x 100 mm ~ 8 5/8" x 4"
Deck plate for use with M16 machine screw
Mirror polished 316 stainless steel
- 43.PI15 **Deck Plates for Eye bolt M16**
Plate 140 x 74 mm ~ 5 1/2" x 3"
Deck plate for use with M12 machine screw
Mirror polished 316 stainless steel
- 32.PI16 **Deck Plates with thread M12**
Plate 100 x 56 mm ~ 3" x 2 3/16"
Deck plate for use with M10 machine screw
Mirror polished 316 stainless steel



43.PI10 Tie down for helicopters; box with drain 90 x 86 mm;



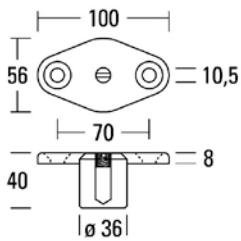
43.PI11 Tie down for Helicopters with drain 120 x 70 mm



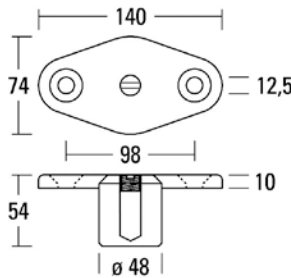
Deck Plates with thread M12

Deck Plates with thread M16

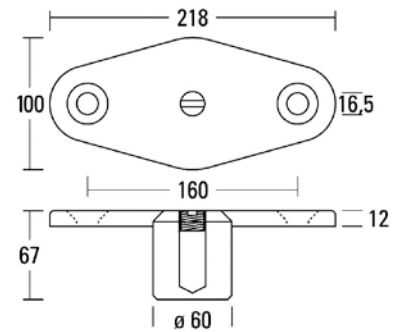
Deck Plates with thread M20



#43.PI14: 218 x 100 x 40 mm

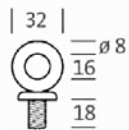


#43.PI15: 140 x 74 x 54 mm

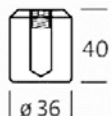


#43.PI16: 100 x 56 x 67 mm

Eye Bolt M12

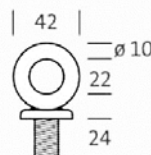


#43.PI41
Bushing M12

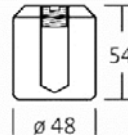


M12
#43.PI46

Eye Bolt M16

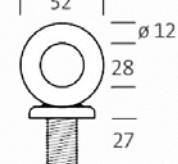


#43.PI42
Bushing M16

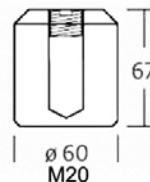


M16
#43.PI47

Eye Bolt M20



#43.PI43
Bushing M20



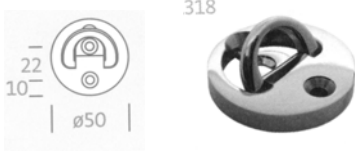
#43.PI48





Izerwaren
Order
numbers

- 316 Stainless steel hatch fastener
- Sea water resistant
- Heavy duty and compact
- Finish: polished stainless steel 316;



43.P318

43.P318 Tie down with plate 50 mm

43.P312 Tie down with plate 88 x 58 mm

43.P314 Tie down with plate 115 x 78 mm

43.P316 Tie down with plate 145 x 98 mm

43.P313 Tie down with plate 136 x 58 mm

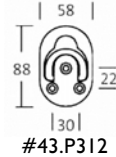
43.P315 Tie down with plate 178 x 78 mm

43.P317 Tie down with plate 225 x 98 mm

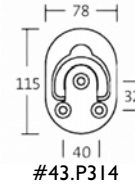
316 STAINLESS STEEL TIE DOWNS



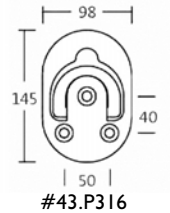
3 SIZES 2 DESIGNS
From 1,000 lbs to 4,000 lbs work load.



#43.P312



#43.P314



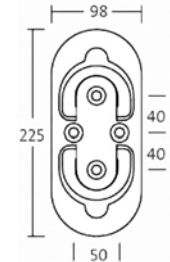
#43.P316



#43.P313



#43.P315

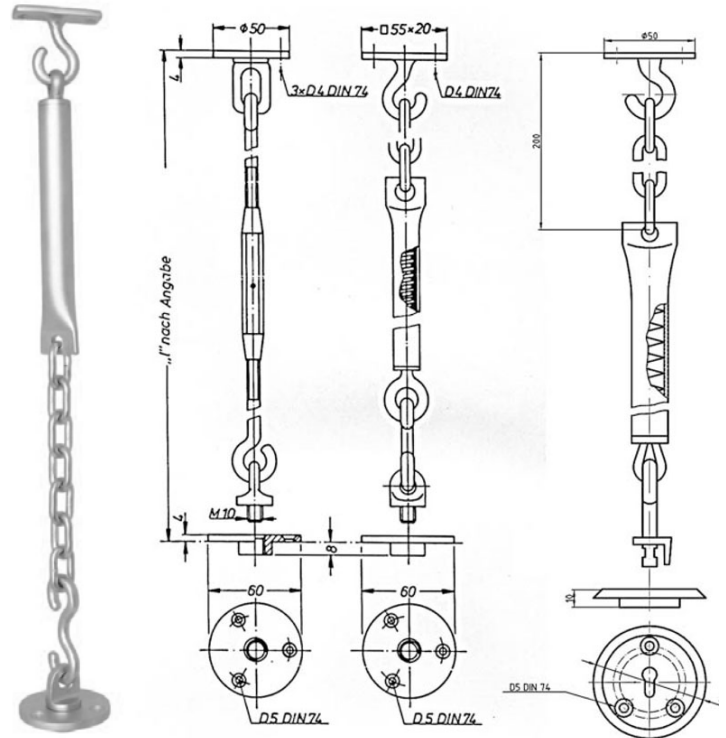


#43.P317

TIE DOWNS FOR CHAIRS



Tie-down #43.556;
4" diameter Cut out 3"
Force rating: up to 500 LBS.
316 polished stainless steel



#43.4610

#43.4620

#43.4635

Spring loaded tie downs for chairs, Finish: Satin or Polished Chrome

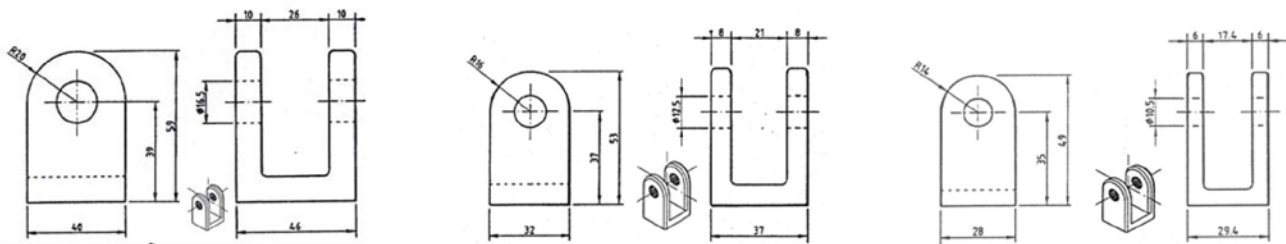


Izerwaren Part Number	<p>BUTTERFLY WING NUTS WITH 26 DEGREE ANGLE</p>					DIN Number	
M.701.12	THREAD SIZE A	d = OD	B = OD	L =	H =	AVAILABLE	DIN 80701 1.4401 stainless steel 316 STAINLESS STEEL
M.701.16	M 12	10	24	240	75	X	
M.701.20	M 16	13	30	240	75	X	
M.701.24	M 20	15	36	240	75	X	

Finish: untreated castings

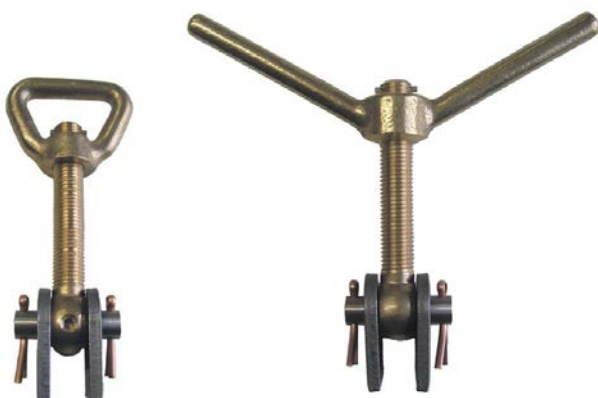
Izerwaren Part Number	<p>FORMED PRESS PLATE FOR WING NUT</p>				DIN Number
M.407.12	FOR HOLE:	LENGTH	WIDTH	THICKNESS	DIN 83407 1.4408 stainless steel 316 STAINLESS STEEL
M.407.16	M 12	100	40	10	
M.407.20	M 16	125	50	12	
M.407.24	M 20	150	60	15	

Finish: untreated

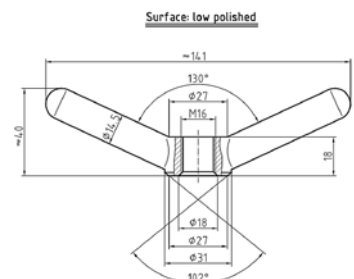


For more parts to make a set: See page 14

Izerwaren Part Number	HINGE PLATE U SHAPE FOR WELDING					DIN Number GRADE
M.571.20	FOR WING NUT SIZE	HIGH X WIDE	OPENING WIDTH	Hole for bolt	AVAILABLE	1.4571 stainless steel 316 - Ti Stainless steel
M.571.16	M20	59 x 46	26	16.5 Ø	X	
M.571.12	M16	53 x 37	21	12.5 Ø		

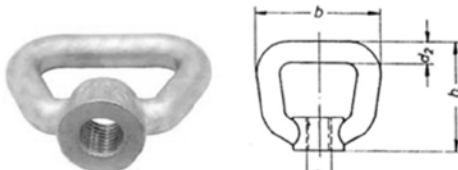


Please see page 4-3-7 for eye bolts

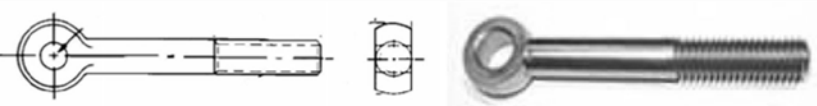


M.802.XX Short wingnut; In size: M12, M16, M20, M24
316 stainless steel



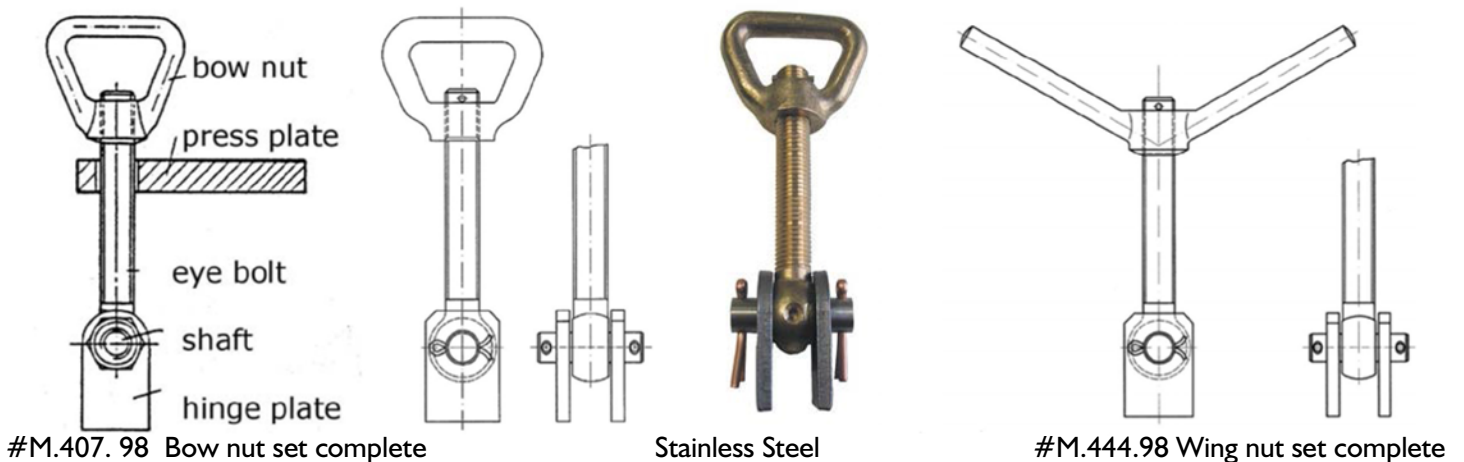
Izerwaren Part Number					DIN Number
	BOW NUTS LIFTING NUTS				
	FOR THREAD SIZE d 1	d 2 = OD	B = OD	H =	AVAILABLE
M.704.08	M 8	7	40	40	X
M.704.10	M 10	9	50	45	X
M.704.12	M 12	10	58	52	X
M.704.16	M 16	12	68	59	X
M.704.20	M 20	13	77	66	X
					DIN 80704 316-Stainless steel

Finish: untreated castings

Izerwaren Part Number						DIN Number
	EYE BOLTS					
	LENGTH	M6	M8	M10	M12	M16
M.444.30	30	X	X			
M.444.35	35	X	X			
M.444.40	40	X	X	X		
M.444.45	45	X	X	X		
M.444.50	50	X	X	X	X	
M.444.60	60	X	X	X	X	X
M.444.70	70		X	X	X	X
M.444.80	80		X	X	X	X
M.444.90	90		X	X	X	X
M.444.10	100		X	X	X	X
M.444.12	120			X	X	X
M.444.14	140				X	X
M.444.15	150				X	X
M.444.16	160				X	X
						DIN 444 00444 000 07 06030

Finish: Machine finish

Thread: partially threaded



#M.407.98 Bow nut set complete

Stainless Steel

#M.444.98 Wing nut set complete

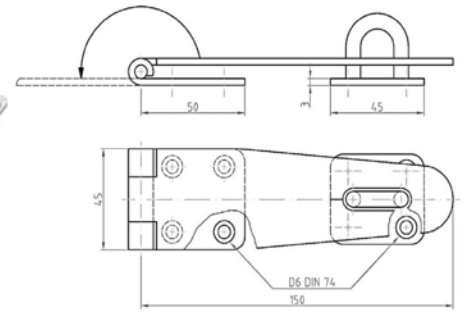
See also page 4-3-6 for press plates and hinge plates separate



Izerwaren
Order
numbers

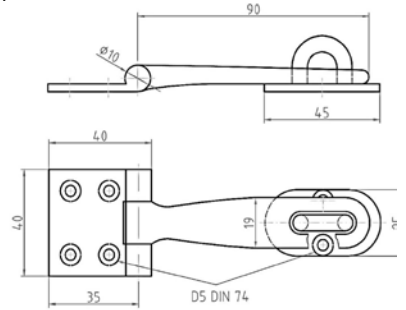
- Solid Brass lid hasps
- Seawater resistant
- Rattle free
- Finish: Chrome plated brass

46.570 **Hasp, medium duty**
With plate lockable by means of padlock
45 x 150 mm
Chrome



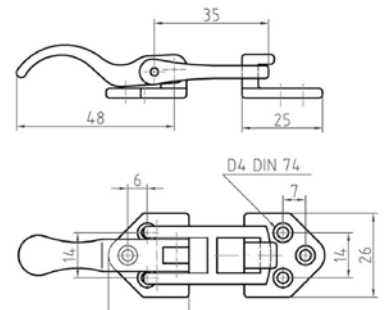
Hasp #46.570 with strike plate 45 x 150 mm

46.572 **Hasp, medium duty**
With plate lockable by means of padlock
40 x 90 mm
Chrome



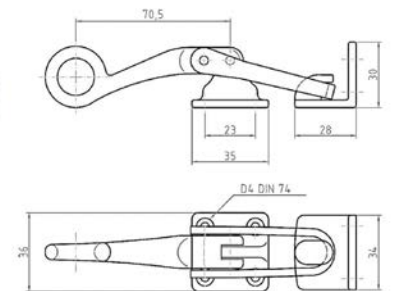
Hasp #46.572 with strike plate 40 x 90

46.576 **Hasp, Light duty**
With hook plate
60 x 26 mm
Chrome



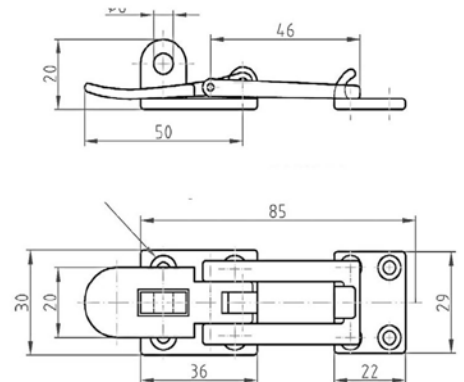
Hasp #46.576 with strike plate size 60 x 26 mm

46.574 **Hasp, Light duty**
With hook plate
36 x 120 mm
Chrome



Hasp #46.574 with angle strike 36 x 120 mm

46.577 **Hasp, medium duty**
With hook plate;
Lockable by means of padlock
26 x 85 mm
Chrome



Hasp #46.577 with Flush Strike Size: 26 x 85 mm